

TW 411

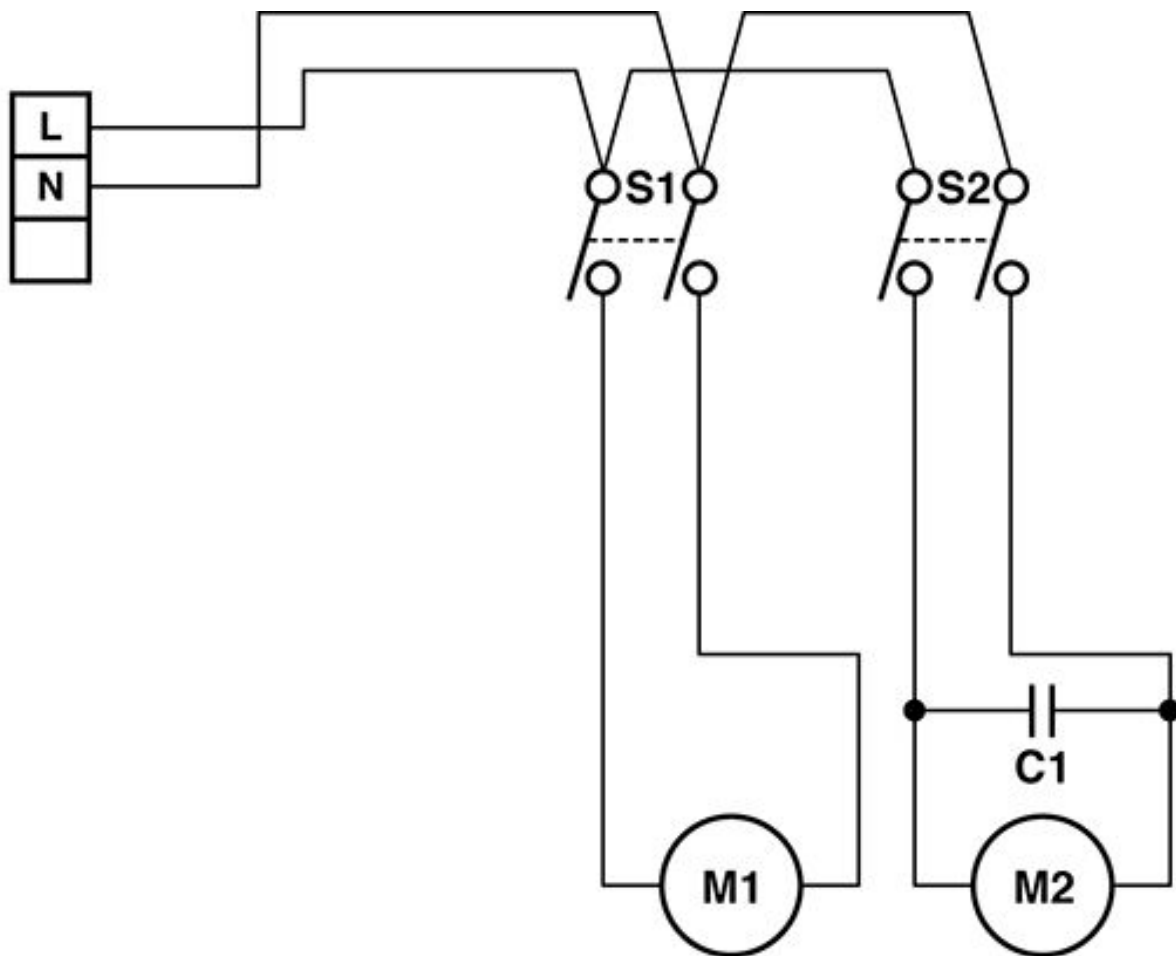
Cover-Housing

As at: 03/16/17 Time:14:04

Pos.	Description	Reference
01	Cover	043.201
02	Hinge pin	043.504
03	Seal for cover	043.202
04	Filter	043.205
05	Cover employment	043.204
06	screw WN 1411 KA30x16	P...516 F
07	Bent tube	043.207
08	screw WN 1452 KA 30x10 A2	P...515 Q
09	Cover	043.502
10	PT-screw KA 30x16	P...516F
11	Boiler compl. exist out position 11a-14	043.300
11a	Recovery tank	043.301
12	Fillister-head screw M 3x8	P...476 O
13	Washer M 3	P...497 J
14	Axle	043.302
15	Housing	043.510
16	Washer M 4	P...497 C
17	PT-screw KA 40x25	P...516 O
18	Handle	043.503
19	Intake socket	043.505
20	screw WN 1412 KA40 x 25	P...516 O
21	wheel	380.135
22	Wheel cover	300.242c
23	Guard ring with cap	P...499 L
24	Washer 13x28x4	P...510 P
25	Axle	043.501

TW 411
Wiring diagram

As at: 03/16/17 Time:14:05



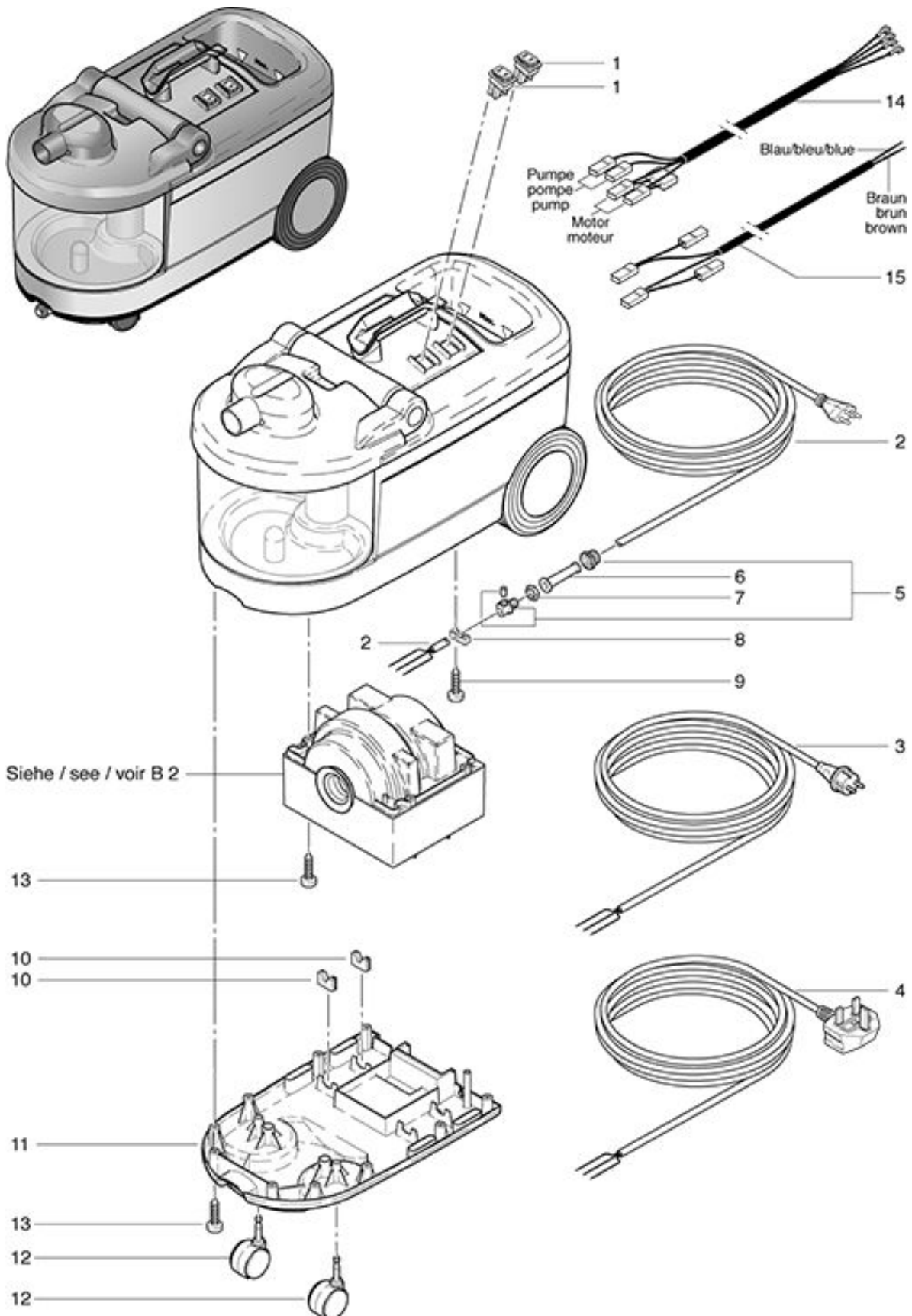
- S1 = Wippenschalter 230 V 1 / Interrupteur 230 V 1 / Valve-switch 230 V 1
- S2 = Wippenschalter 230 V 2 / Interrupteur 230 V 2 / Valve-switch 230 V 2
- C1 = Entstörkondensator 0,15 uF / Condensateur 0,15 uF / Capacitor 0,15 uF
- M1 = NDS-X-Pumpe 230 V / Pompe NDS-X-230 V / NDS-X-pump 230 V
- M2 = Saugmotor / Motuer d'aspiration / Vacuum motor

TW 411

Wiring diagram

As at: 03/16/17 Time:14:05

Pos.	Description	Reference
C 1	Capacitor 0,15 uF	P...391
M 1	Pump	P...809
M 2	Suction motor	P...876
S 1	Tumbler switch 1	P...240
S 2	Tumbler switch 2	P...240



TW 411

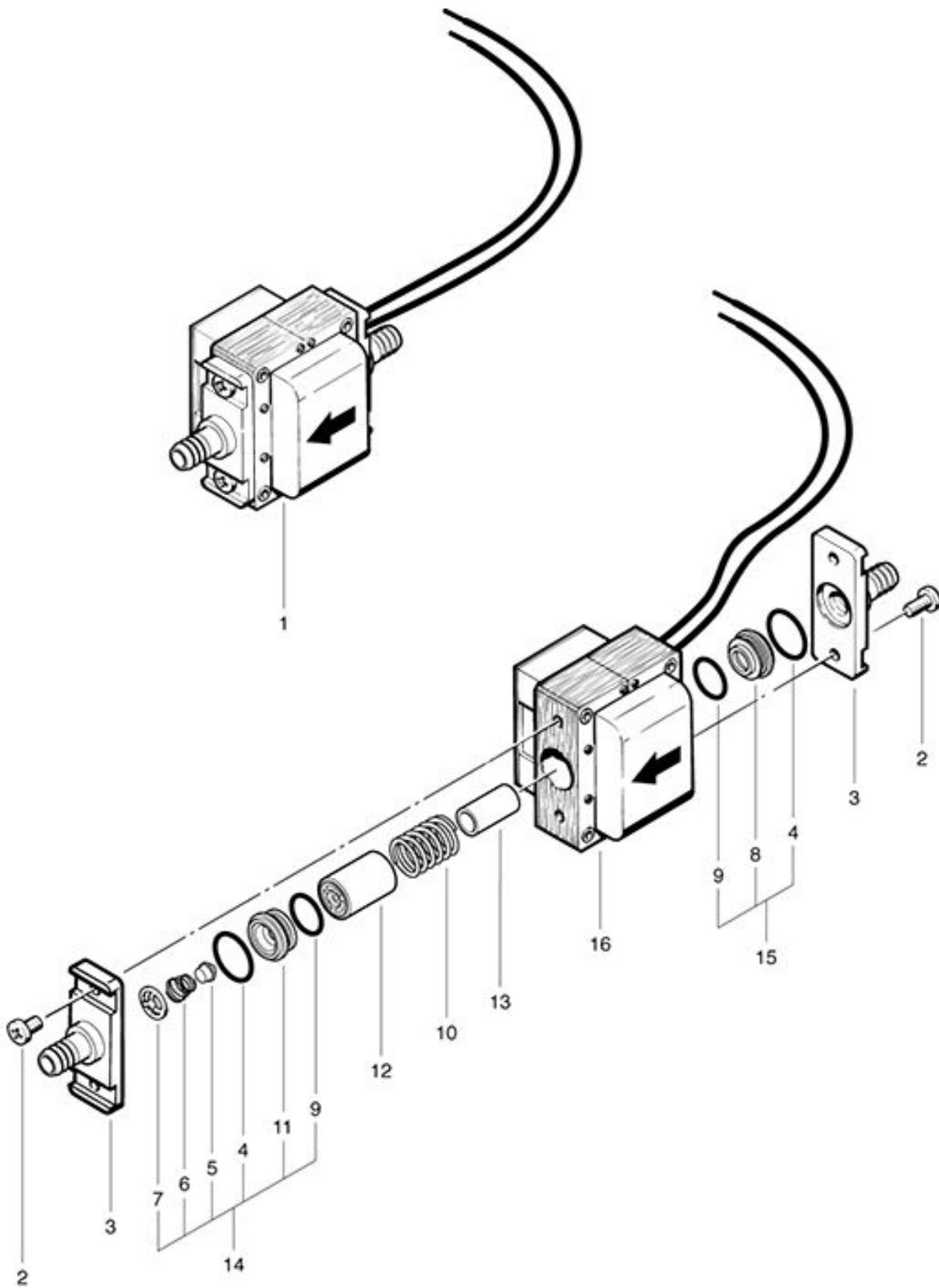
Pump assembling vacuum motor and Electrical connection

As at: 03/16/17 Time:14:05

Pos.	Description	Reference
01	Valve-switch 230 V	P...240
02	Electr. Connection 7,5 m SEV	P...287
03	Electr. Connection 7,5 m VDE	P...288
04	Electr. Connection 7,5 m GB	P...277
05	Cable clamp	P...279
06	Cable grommet	P...280
07	Conter nut PG 9	P...279 H
08	Cable clamp	4611085
09	PT screw KA 50x18	P...516 F
10	Pump holder	043.603
11	Bottom	043.401
12	Swivel castor wheel Ø 50 mm	P...204 F
13	PT screw KA 50x16	P...515 Z
14	cable tree for pump and moteur	043.612
15	cable tree set	043.614

TW 411
Pump NDSX

As at: 03/16/17 Time:14:07



TW 411

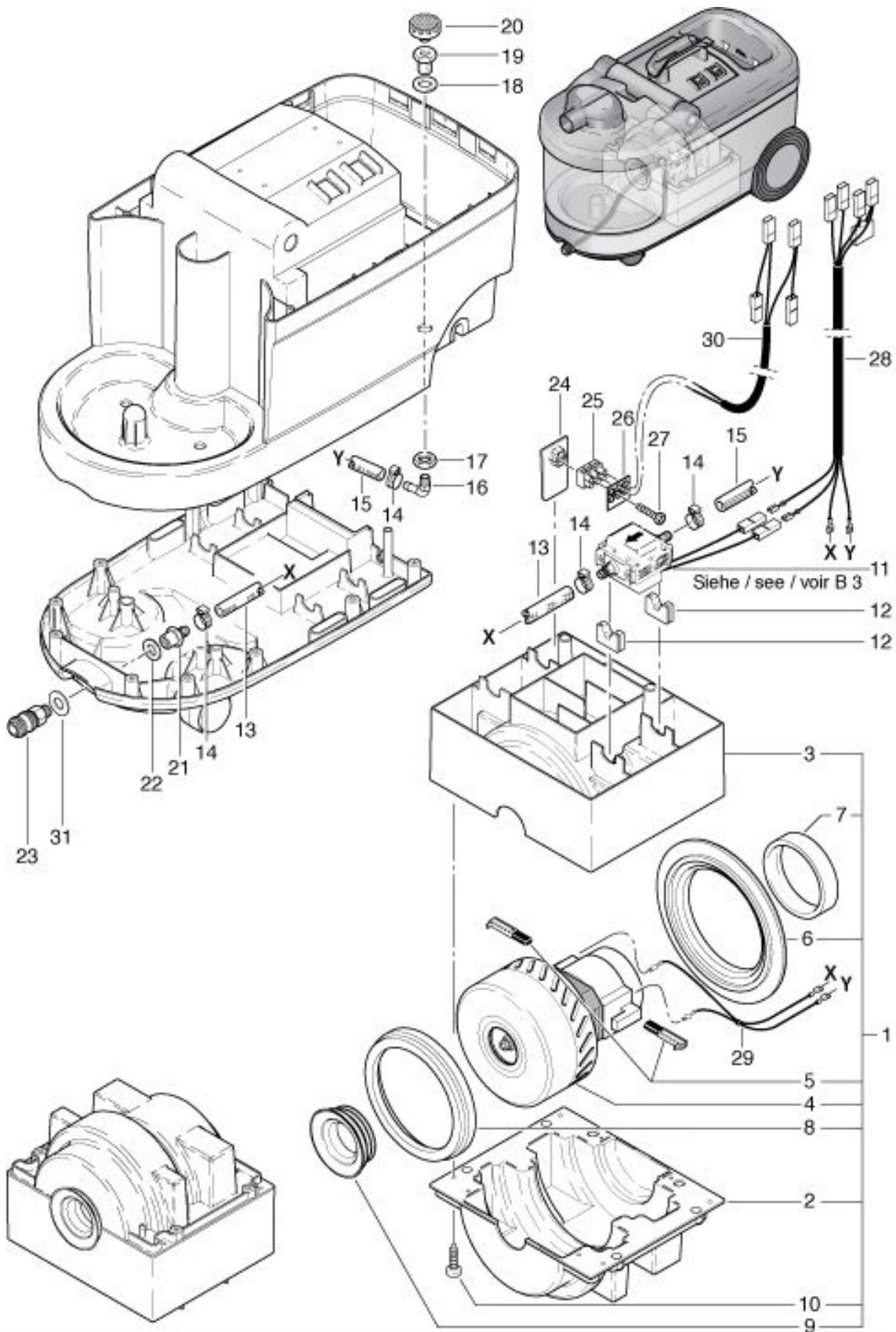
Pump NDSX

As at: 03/16/17 Time:14:07

Pos.	Description	Reference
01	NDS-X pump 230V/50Hz	P...809
02	Raised head screw M 4x10	P...481 M
03	Hose connection	P...809 M
04	O-ring Ø 14x1,5 mm	P...809 K
05	Valve cone	P...810 S
06	Valve spring	P...809 P
07	Counter ring	P...809 N
08	Spring support	P...809 F
09	O-ring Ø 12x1,5	P...809 L
10	Piston ring	P...809 E
11	Valve seating	P...809 Q
12	Piston	P...809 B
13	Distance piece	P...809 S
14	Valve seating compl. including items 4-7, 9+11	P...810 Y
15	Spring support compl. including items 4,8+9	P...810 X
16	Magnet coil compl. 220-240 V/50Hz	P...809 A

TW 411
Vacuum motor-Pump

As at: 03/16/17 Time:14:07



TW 411

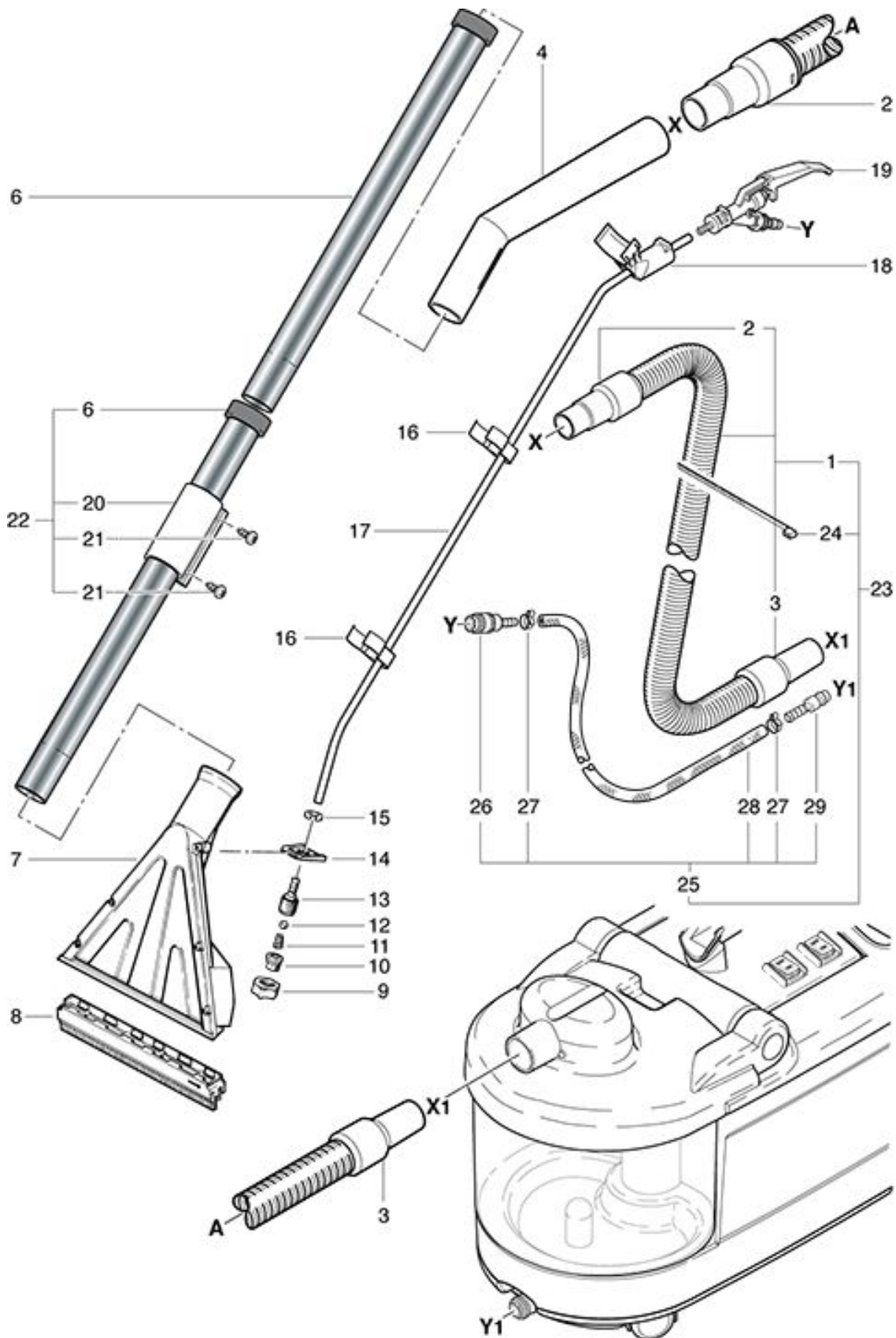
Vacuum motor-Pump

As at: 03/16/17 Time:14:07

Pos.	Description	Reference
01	Fan unit complete including: items 2-10	043.600
02	Lower jacket of motor	043.602
03	Upper jacket of motor	043.601
04	Suction motor	P...876
05	Pair of Charbon brushes	P...876KB
06	Profile	043.606
07	Seal for motor	043.607
08	Motor sealing ring	P...971 J
09	Seal for motor	043.605
10	PT-screw KA 50x16	P...515 Z
11	NDSX-pump 230V/50Hz	P...809
12	Pump holder	043.603
13	Hose pump-coupling	043.609
14	Hose clamp 17,0-706R	P...550 C
15	Hose tank-pump	043.610
16	Angled hose nippel 8/R 1/4"	P...541 H
17	Hexagon nut 3/8"	P...535 B
18	Gasket 30/17x2 mm	P...097
19	Reducer 3/8"-1/4"	P...535 A
20	Fresh water filter	P...106
21	Male connector NW 8-1/4"	P...525 K
22	Washer 14/24/2 mm	P...260
23	Female quick connector 1/4" big	P...500 B
24	Support	043.650
25	Terminal 3 poles	P...383 A
26	Marking plate	P...390
27	PT screw KA 30x16	P...516 F
28	cable tree for pumpe and motor	043.612
29	cable tree vacuum motor	043.613
30	cable tree set	043.614
31	Washer DIN 522 M 12 13/30/1,6	P 496 A

TW 411
Suction set

As at: 03/16/17 Time:14:07



TW 411

Suction set

As at: 03/16/17 Time:14:07

Pos.	Description	Reference
01	Suction hose 2,2m, including items 2+3	043.561
02	Hose socket Ø 32 mm	P...575
03	Hose socket 32 mm	P...562 C
04	Toolhandle tw, anthrazit	606.010
05	Slide	P...581 B
06	Stainless steel tube	645.002 A
07	Suction nozzle 23 cm	P...600 I
08	Hardfloor slide	P...600 W
09	Cap nut 3/8"	P...602 D
10	Spraying jet withe	P...602 C
11	Pressure spring	P...444 E
12	Ball	P...172 W
13	Holder for nozzle	P...602 E
14	Mounting bracket for nozzle	P...602 I
15	Locking washer Ø 9 mm	P...499 N
16	Hose clip	P...670
17	Pressure hose 6/8x1045 mm	P...665
18	Triffer mounting braket	606.020
19	Spraying compl. with fitting	900.681
20	Sliding clamp	012.411
21	PT-screw KA 40x8	P...515 W
22	Stainless steel tube with sliding clamp	645.003
23	Spray and suction hose 2,2m cpl. incl. Items 1,24,25	043.560
24	Cable tie 4.8x200 mm	P...609
25	Spraying hose 2,2 m cpl.including items 26-29	043.562
26	Hose connector	900.165
27	Hose clamp 13.3 mm	P...550 I
28	Pressure hose Ø 6/12x2250mm	043.563
29	Connector	P...501 D